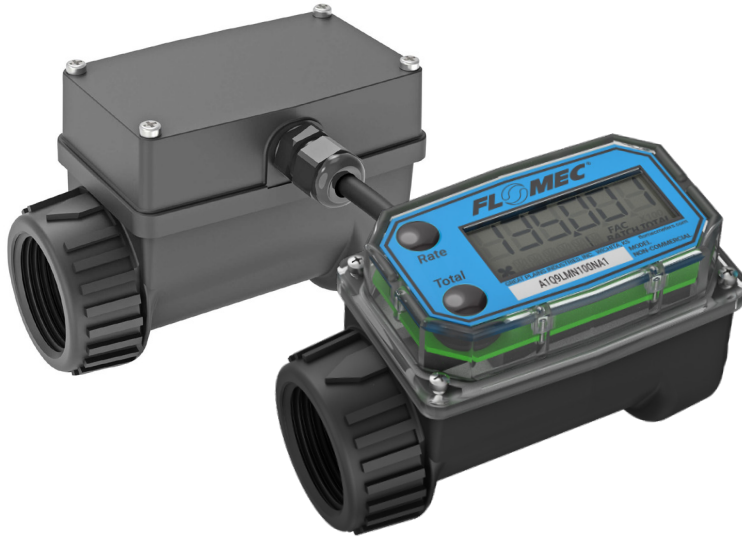


A1 SERIES LOW FLOW NYLON PADDLEWHEEL METER



FLOMEC® A1 Series Paddlewheel Meter for accurate measurement of water or non-aggressive chemical applications. For low flow applications: 0.3 - 3 GPM (1 to 11 L/min). Accuracy can vary up to $\pm 5\%$ depending on installation and fluid type. Field calibration is recommended for best accuracy. A1's lightweight, compact design allows for easy installation.

A1N-10-N-L-Q MODEL WITH DISPLAY

A1 Nylon with Q9 Display is designed as a self-contained, battery-powered unit. Intrinsically safe for use in hazardous areas.[†]

FEATURES / BENEFITS

- Unique package combines Paddlewheel and LCD into a self-contained, compact, economical meter
- Local Display Computer features: 2 Non-Volatile Totals (Batch Total = Resettable, Total = Non-resettable) and Rate of Flow
- Output capabilities available to communicate with process control equipment
- 12 selectable engineering units (gallons or liters are standard defaults)
- Factory calibration
- AAA Alkaline battery life: 2 years

A1N-10-N-L-P MODEL (BLIND)

A1 Nylon with Conditioned Signal Output Module (Blind). Conditioned signal module is not FM approved.

FEATURES & BENEFITS

- Provides an NPN Open Collector pulse that can communicate with most process control devices
- Modular design allows for use with output modules, sensors, and remote display kits; plug and play
- External 9 to 35 V (dc), approximately 1mA
- 10 ft. (3 m) 3-wire with strain relief
- Factory calibration

SPECIFICATIONS

| | | |
|---|--|-----------------------|
| Model Numbers: | A1N-10-N-L-Q w/Q9 display | |
| | A1N-10-N-L-P conditioned signal output (blind) | |
| Design Type: | Paddlewheel | |
| Fitting Size / Fitting Type: | 1 inch / NPT | |
| Flow Range: | 0.3 - 3 GPM | 1 - 11 L/min |
| Accuracy (% of Reading): | Application Dependent ¹ | |
| Pressure Rating (Nylon): | 150 psi (10.3 bar) | |
| Operating Temperature Range: | -40° F to 250° F (-40° C to 121° C) | |
| with Safe Area Only Display: | 0° F to 140° F (-18° C to 60° C) | |
| with Intrinsically Safe Display: | 0° F to 129° F (-18° C to 54° C) | |
| Typical K-Factor: | 2200 PPG (581 Pulses/L) | |
| Frequency Range: | 11-110 Hz @ 0.3-3 GPM (1-11 L/min) | |
| Recommended Strainer Size: | 28 mesh (700 μ m) | |
| Wetted Materials (Nylon): | Housing: | Nylon |
| | Bearings: | Ceramic (96% Alumina) |
| | Shaft: | Tungsten Carbide |
| | Rotor: | Nylon |
| | Rings: | 316 Stainless Steel |
| Calibration Report: | Comes standard with A1 Series meters. | |
| | N.I.S.T. - Certification available. | |

¹Accuracy can vary up to $\pm 5\%$ depending on installation and fluid type. Field calibration is recommended for best accuracy.

APPROVALS†/WARRANTY



IP65



[†]If the meter includes any modules (4-20 mA and Pulse Out) that introduces external power, then all intrinsic safety approvals are voided.

APPLICATIONS

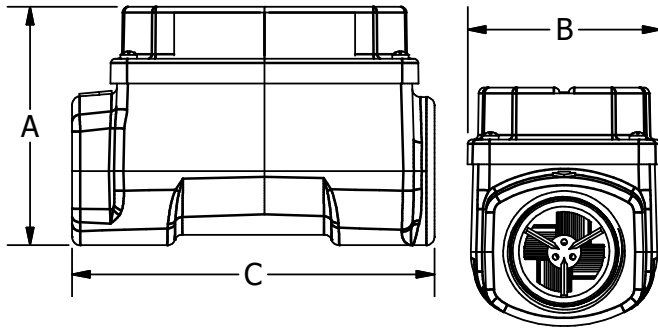
- Plant Process Water
- Batching / Blending
- Water / Non-Aggressive Chemicals
- Ag Chemicals
- Solvents / Glycol
- Chemical Feed Lines

Wichita · Sydney

GREAT PLAINS INDUSTRIES



A1 SERIES LOW FLOW NYLON PADDLEWHEEL METER



DIMENSIONS

| | |
|----------------|-----------------------|
| A = Height* | 2.5 in. (63.5 mm) |
| B = Width | 2.0 in. (50.8 mm) |
| C = Length | 4.0 in. (101.6 mm) |

*Height includes 0.7 in. (1.8 cm) for the computer electronics.

ACCESSORIES

| Part No. | Description |
|-----------|----------------------------------|
| 113275-10 | FM Approved Remote Kit Assembly† |
| 113435-10 | Conditioned Signal Output Module |
| 125260-02 | 90° Display Adapter Kit |
| 125100-10 | 4-20 mA Module |

†Does not make Non-FM or Non-ATEX Approved meters FM or ATEX Approved.