

A1 SERIES LOW FLOW ALUMINUM PADDLEWHEEL METER



FLOMEC® A1 Series Paddlewheel Meter for accurate measurement of thin petroleum-based fluid applications. For low flow applications: 0.3 - 3 GPM (1 to 11 L/min). Accuracy can vary up to $\pm 5\%$ depending on installation and fluid type. Field calibration is recommended for best accuracy. A1's lightweight, compact design allows for easy installation.

A1A-10-N-L-Q MODEL WITH DISPLAY

A1 Aluminum with Q9 Display is designed as a self-contained, battery-powered unit. Intrinsically safe for use in hazardous areas.[†]

FEATURES / BENEFITS

- Unique package combines Paddlewheel and LCD into a self-contained, compact, economical meter
- Local Display Computer features: 2 Non-Volatile Totals (Batch Total = Resettable, Total = Non-resettable) and Rate of Flow
- Output capabilities available to communicate with process control equipment
- 12 selectable engineering units (gallons or liters are standard defaults)
- Factory calibration
- AAA Alkaline battery life: 2 years

A1A-10-N-L-P MODEL (BLIND)

A1 Aluminum with Conditioned Signal Output Module (Blind). Conditioned signal module is not FM approved.

FEATURES & BENEFITS

- Provides an NPN Open Collector pulse that can communicate with most process control devices
- Modular design allows for use with output modules, sensors, and remote display kits; plug and play
- External 9 to 35 V (dc), approximately 1mA
- 10 ft. (3 m) 3-wire with strain relief
- Factory calibration

SPECIFICATIONS

Model Numbers:	A1A-10-N-L-Q w/Q9 display	
	A1A-10-N-L-P conditioned signal output (blind)	
Design Type:	Paddlewheel	
Fitting Size / Fitting Type:	1-inch / NPT (Female)	
Flow Range:	0.3 - 3 GPM	1 - 11 L/min
Accuracy (% of Reading):	Application Dependent ¹	
Repeatability:	$\pm 1.0\%$	
Pressure Rating (Aluminum):	300 psi (21 bar)	
Operating Temperature Range:	-40° F to 250° F (-40° C to 121° C)	
with Safe Area Only Display:	0° F to 140° F (-18° C to 60° C)	
with Intrinsically Safe Display:	0° F to 129° F (-18° C to 54° C)	
Typical K-Factor:	2,200 PPG (581 Pulses/L)	
Frequency Range:	11-110 Hz @ 0.3-9 GPM (1-11 L/min)	
Recommended Strainer Size:	55 mesh (275 μ m)	
Wetted Materials (Aluminum):	Housing:	Aluminum
	Bearings:	Ceramic (96% Alumina)
	Shaft:	Tungsten Carbide
	Rotor:	Nylon
	Rings:	316 Stainless Steel
Calibration Report:	N.I.S.T. - Certification available.	

¹Accuracy can vary up to $\pm 5\%$ depending on installation and fluid type. Field calibration is recommended for best accuracy.

APPLICATIONS

- Fuel Transfer
- Batching / Blending
- Fuel Products

APPROVALS[†]/WARRANTY



IP65



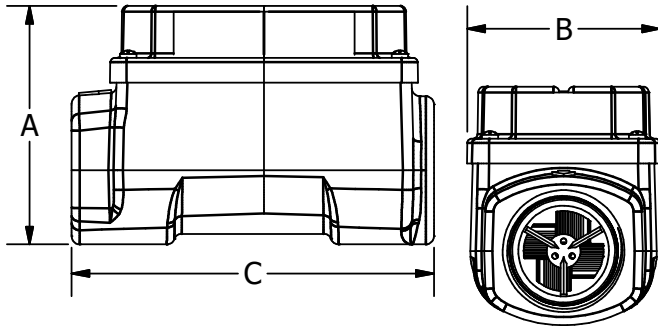
[†]If the meter includes any modules (4-20 mA and Pulse Out) that introduces external power, then all intrinsic safety approvals are voided.

Wichita · Sydney

GREAT PLAINS INDUSTRIES



A1 SERIES LOW FLOW ALUMINUM PADDLEWHEEL METER



DIMENSIONS

A = Height*	2.5 in. (63.5 mm)
B = Width	2.0 in. (50.8 mm)
C = Length	4.0 in. (101.6 mm)

*Height includes 0.7 in. (1.8 cm) for the computer electronics.

ACCESSORIES

Part No.	Description
113275-10	FM Approved Remote Kit Assembly†
113435-10	Conditioned Signal Output Module
125260-02	90o Display Adapter Kit
125100-10	4-20 mA / Pulse Out Module

†Does not make Non-FM or Non-ATEX Approved meters FM or ATEX Approved.